

Industrial Dry Chemical



A UTC Fire & Security Company

Effective: March 2011
K-83-013

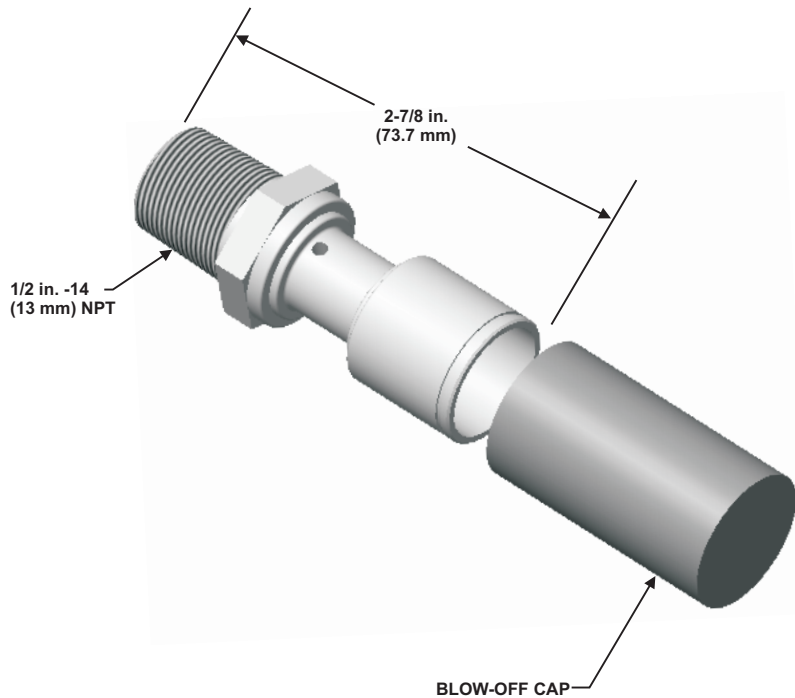
Duct-Plenum (DP) Nozzle

P/N: 83-10006-001

DESCRIPTION

The Duct-Plenum (DP) Nozzle is designed to discharge Kidde® dry chemical suppression agent throughout an exhaust duct or plenum in industrial systems and vehicle spray booth systems.

Each DP nozzle is factory-equipped with a blow-off cap to protect the nozzle orifices and to prevent moisture buildup in the discharge piping.



This literature is provided for informational purposes only. KIDDE-FENWAL, INC. assumes no responsibility for the product's suitability for a particular application. The product must be properly applied to work correctly. If you need more information on this product, or if you have a particular problem or question, contact KIDDE-FENWAL, INC., Ashland, MA 01721. Telephone: (508) 881-2000.